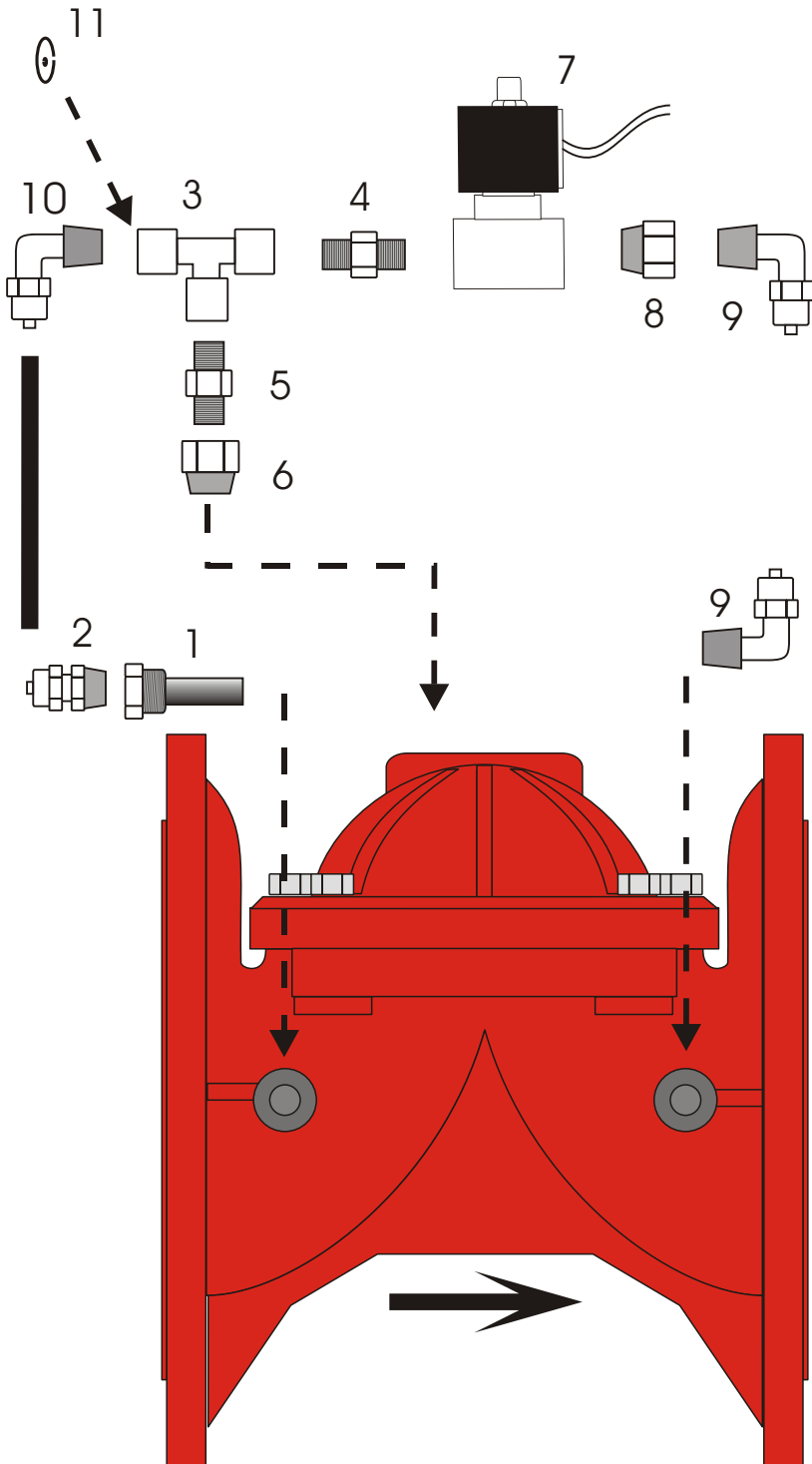


# HYDROVAL® HY-EL 2W

## Solenoid valve with 2-way solenoid



- 1 - STRAINER
- 2 - STRAIGHT 1/8" PEAD TUBE 4X6
- 3 - TEE 1/4"-1/4"-1/4"
- 4 - NIPPLES 1/4" - 1/2"
- 5 - NIPPLES 1/4" - 1/4"
- 6 - CONNECTION 1/4"M - 1/4"F
- 7 - SOLENOID VALVE
- 8 - CONNECTION 1/2"M - 1/4"F
- 9 - ELBOW 1/4" PEAD TUBE 6X8
- 10 - ELBOW 1/4" PEAD TUBE 4X6
- 11 - ORIFICE PLATE (up to 5" after that it is necessary a needle valve)