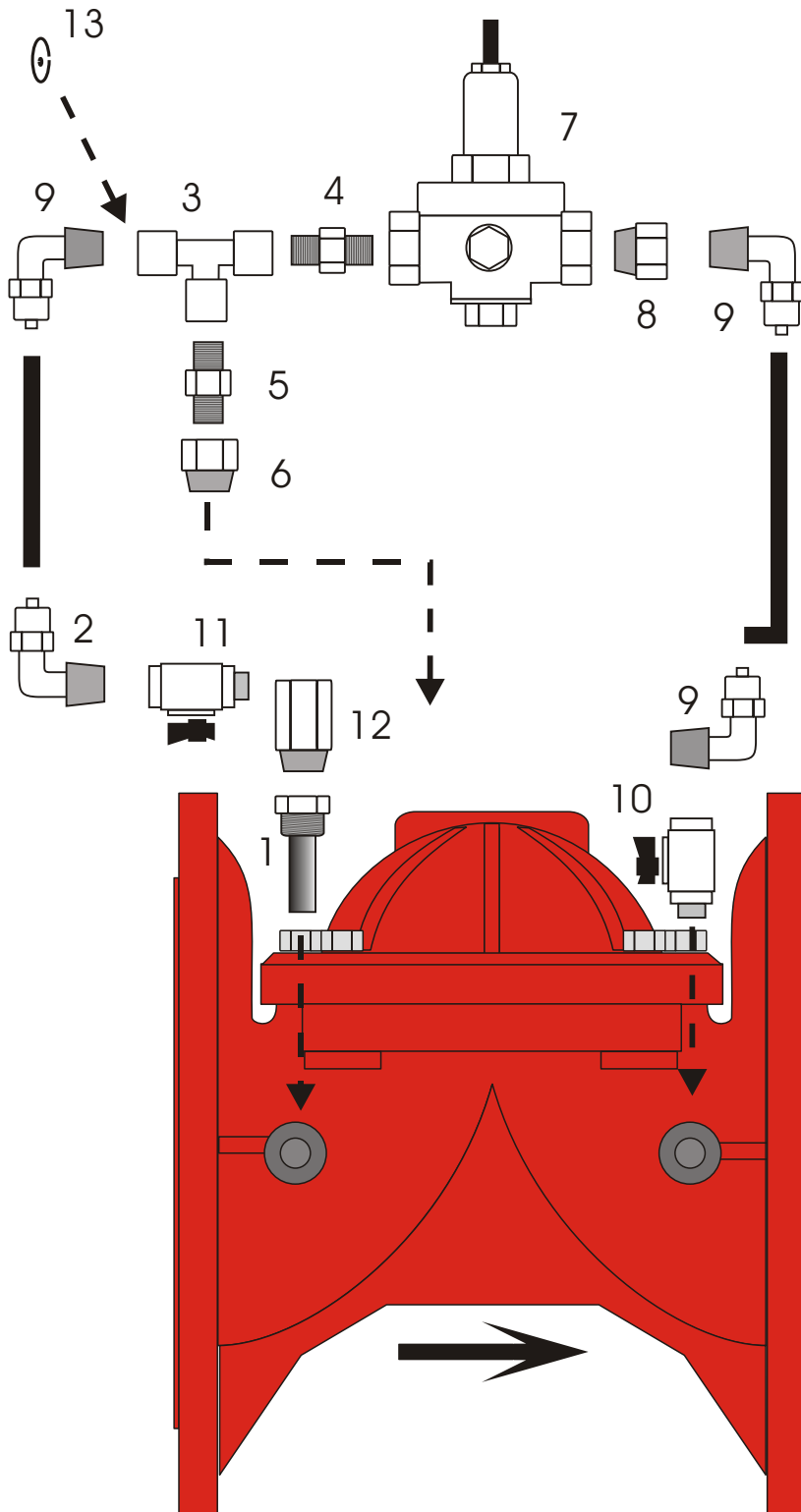


# HYDROVAL® HY-RP2M Pressure Reducing valve 2-way Metallic Pilot



- 1 - STRAINER
- 2 - ELBOW 1/8" PEAD TUBE 4X6
- 3 - TEE 1/4"-1/4"-1/4"
- 4 - NIPPLES 1/4" - 1/2"
- 5 - NIPPLES 1/4" - 1/4"
- 6 - CONNECTION 1/4"M - 1/4"F
- 7 - PRESSURE REDUCING PILOT
- 8 - CONNECTION 1/2"M - 1/4"F
- 9 - ELBOW 1/4" PEAD TUBE 4X6
- 10 - ON-OFF VALVE 1/4"M - 1/4"F
- 11 - ON-OFF VALVE 1/8"M - 1/8"F
- 12 - EXTENSION 1/8"M-F
- 13 - ORIFICE PLATE (up to 5"  
after that it is necessary  
a needle valve)