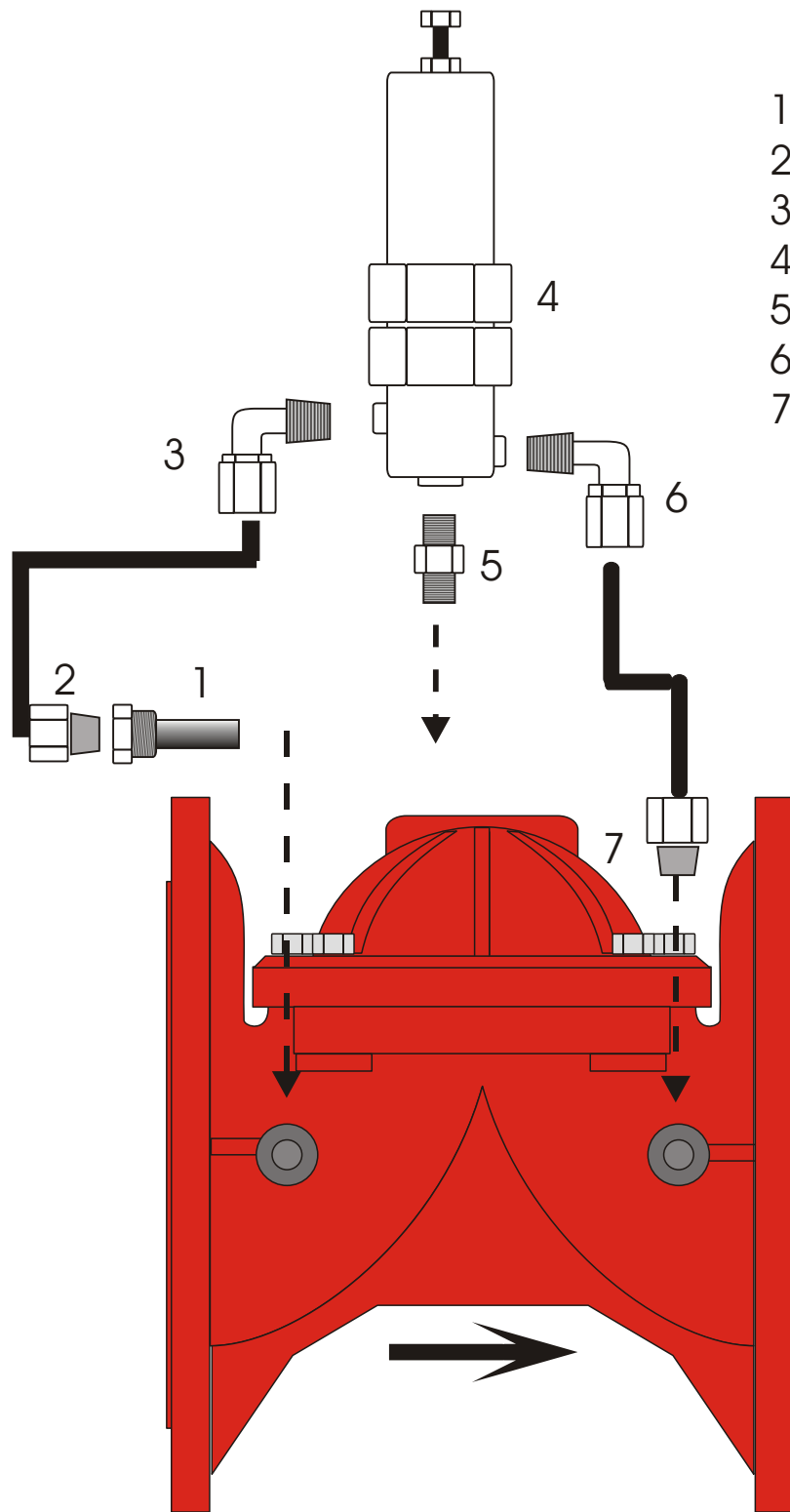


HYDROVAL® HY-SR. Quick Relief valve



- 1 - STRAINER
- 2 - STRAIGHT 1/8" COPPER TUBE 8
- 3 - ELBOW 1/8" COPPER TUBE 8
- 4 - QUICK RELIEF PILOT
- 5 - NIPPLES 1/4" - 1/4"
- 6 - ELBOW 1/4" COPPER TUBE 8
- 7 - STRAIGHT 1/4" COPPER TUBE 8